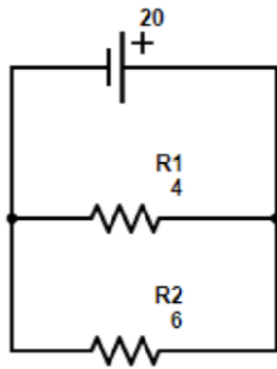
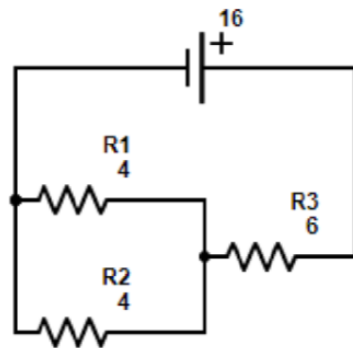


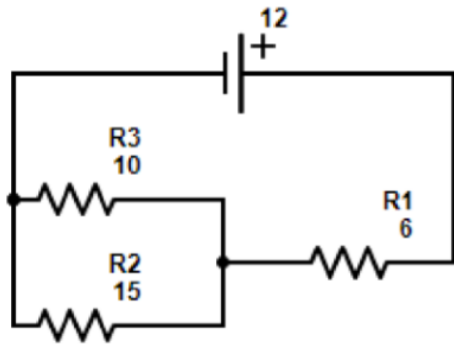
	V	I	R	P
Source	20	2	10	40
R ₁	8	2	4	16
R ₂	12	2	6	24



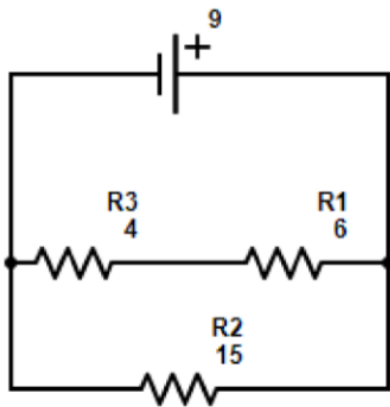
	V	I	R	P
Source	20	8.33	2.4	167
R ₁	20	5	4	100
R ₂	20	3.33	6	67



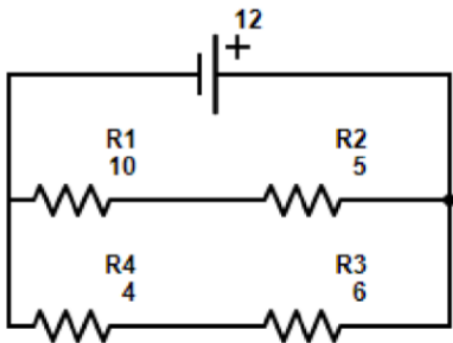
	V	I	R	P
Source	16	2	8	32
R ₁	4	1	4	4
R ₂	4	1	4	4
R ₃	12	2	6	24



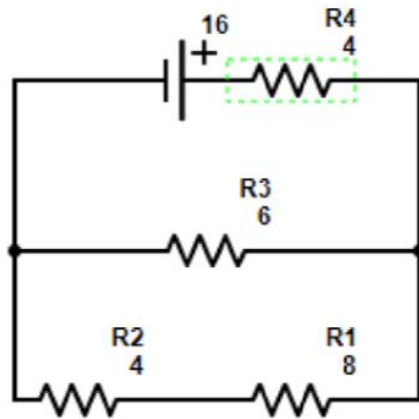
	V	I	R	P
Source	12	1	12	12
R ₁	6	1	6	6
R ₂	6	0.4	15	2.4
R ₃	6	0.6	10	3.6



	V	I	R	P
Source	9	1.5	6	13.5
R ₁	5.4	0.9	6	4.86
R ₂	9	0.6	15	5.4
R ₃	3.6	0.9	4	3.24



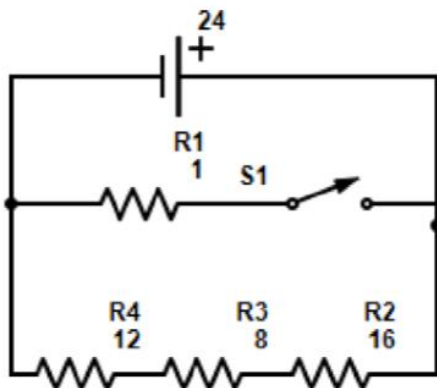
	V	I	R	P
Source	12	2	6	24
R ₁	8	0.8	10	6.4
R ₂	4	0.8	5	3.2
R ₃	7.2	1.2	6	8.64
R ₄	4.8	1.2	4	5.76



	V	I	R	P
Source	16	2	8	32
R ₁	5.36	0.67	8	3.6
R ₂	2.68	0.67	4	1.8
R ₃	8	1.33	6	10.6
R ₄	8	2	4	16

S1 is Open

	V	I	R	P
Source	24	0.67	36	16
R ₁	0	0	1	0
R ₂	10.7	0.67	16	7.13
R ₃	5.33	0.67	8	3.55
R ₄	8	0.67	12	5.33



S1 is Closed

	V	I	R	P
Source	24	24.6	0.97	592
R ₁	24	24	1	576
R ₂	9.6	0.6	16	5.76
R ₃	4.8	0.6	8	2.88
R ₄	7.2	0.6	12	4.32