

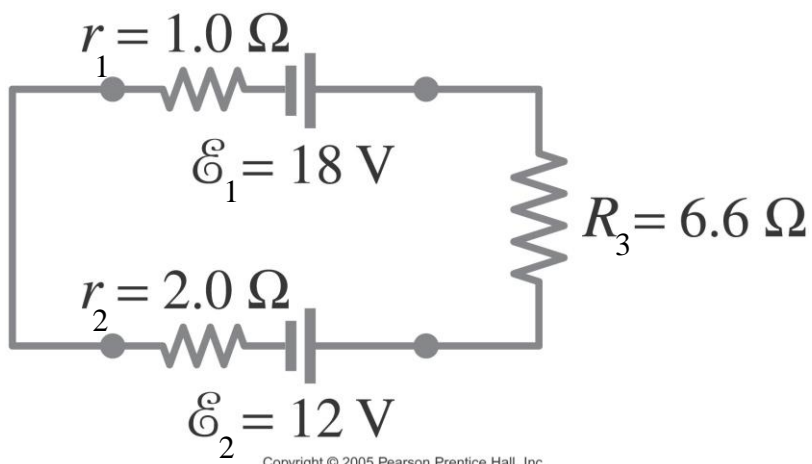
Name _____
Physics 200

Essex High School
May 6, 2020

Kirchoff's Laws #2

Find the magnitudes and the direction for every unique current in these circuits.

Problem 1.



Problem 2.

